

MTP2K J2

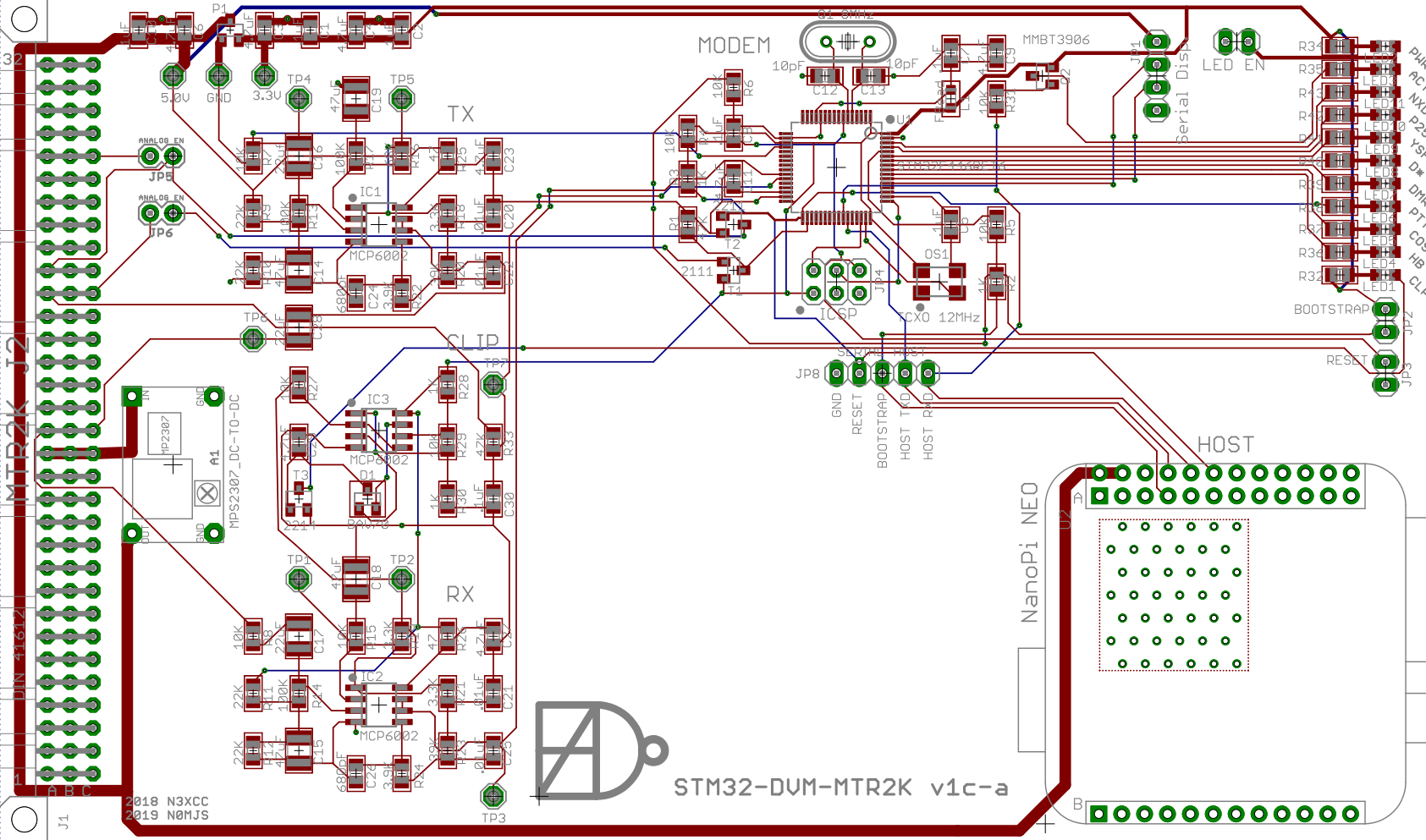
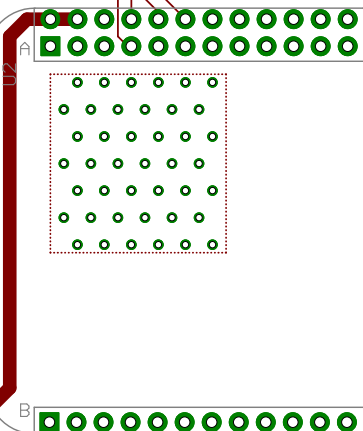
J1

©2018 N3XCC
©2019 N0MJ5



STM32-DUM-MTR2K v1c-a

NanoPi NEO



PWR ACT NVD YSF D* DMR PTT COS HB
R34 R33 R32 R31 R30 R29 R28 R27 R26 R25 R24 R23 R22 R21 R20 R19 R18 R17 R16 R15 R14 R13 R12 R11 R10 R9 R8 R7 R6 R5 R4 R3 R2 R1
LED EN
Serial Disc
JPM
RESET
BOOTSTRAP
HOST TNC
HOST RVD
JPM3
JPM2
JPM1