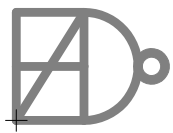


Bauform C
DIN 41612

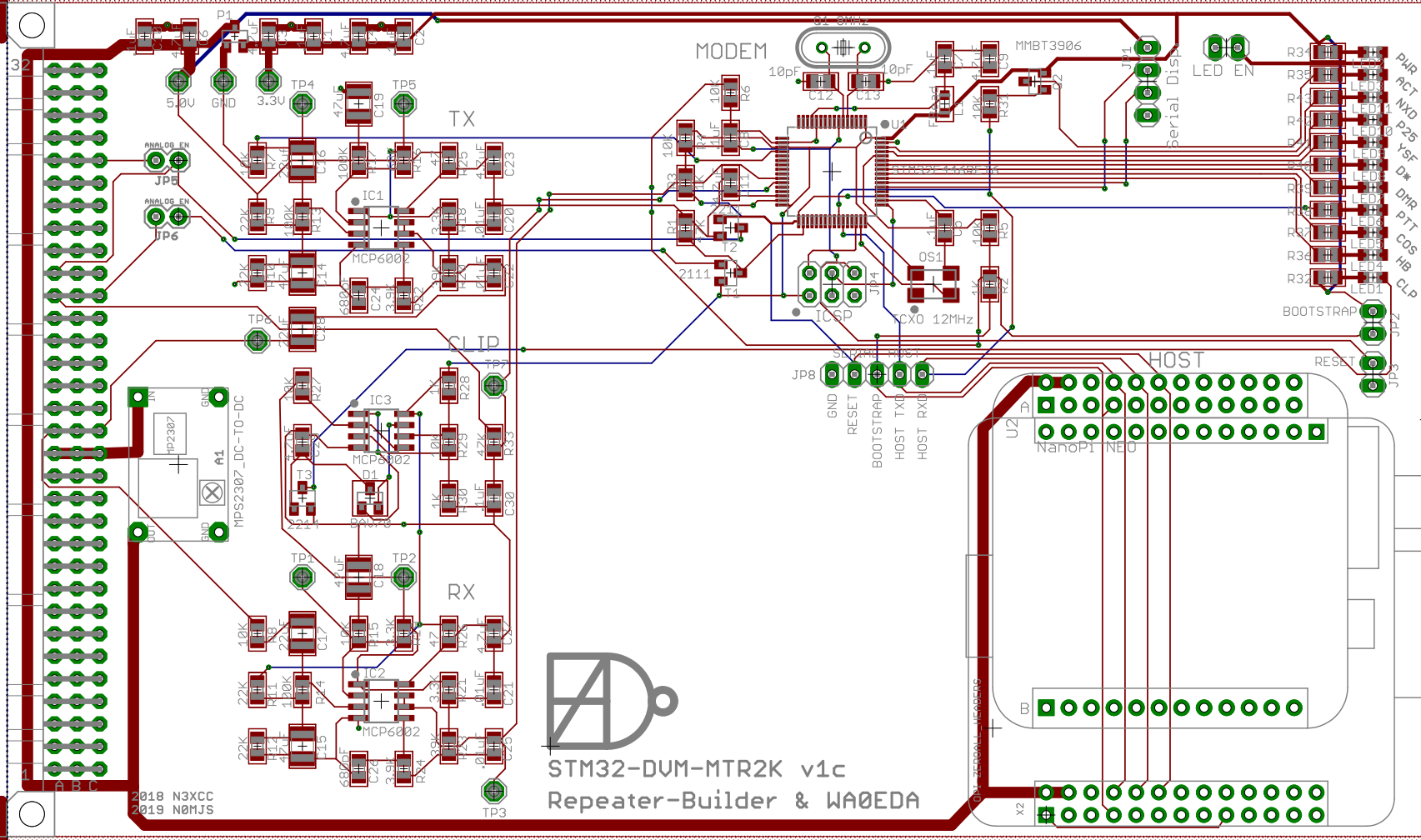
MTR2K J2

J1

©2018 N3CCC
©2019 NØMJS



STM32-DVM-MTR2K v1c
Repeater-Builder & WAØEDA



Serial Disp.
LED EN
PWR ACT
MVD
P25
Y-5F
D-W
DNR
PTR
COS
HB
CLP
BOOTSTRAP
RESET
J3
J4

HOST
NanoPi NEO
U2

J2

J1